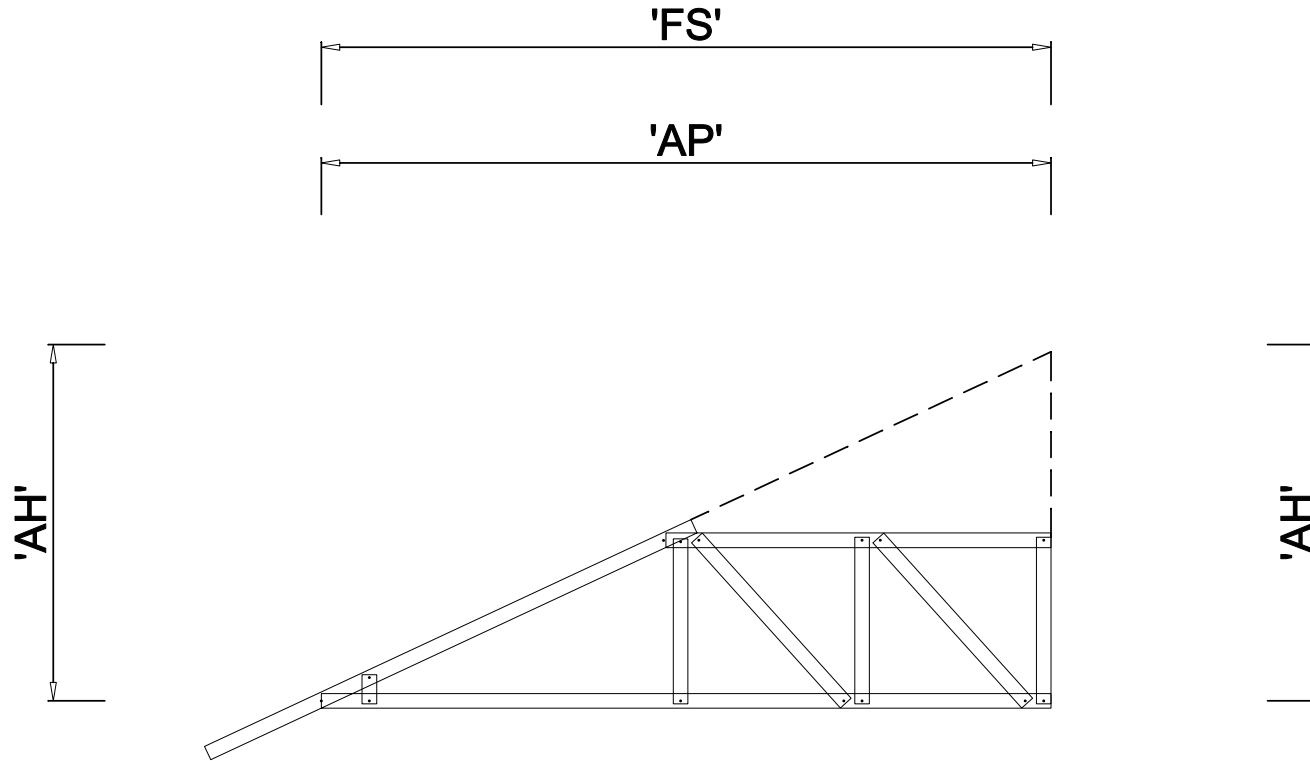
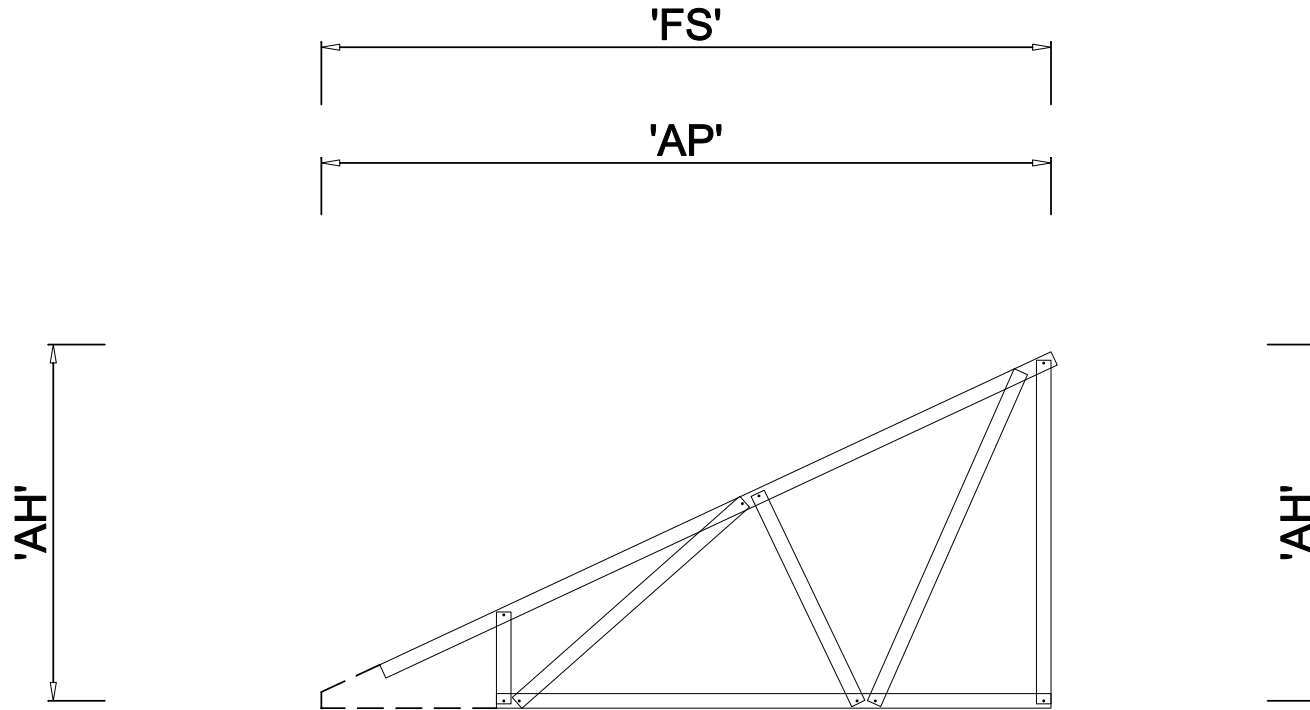


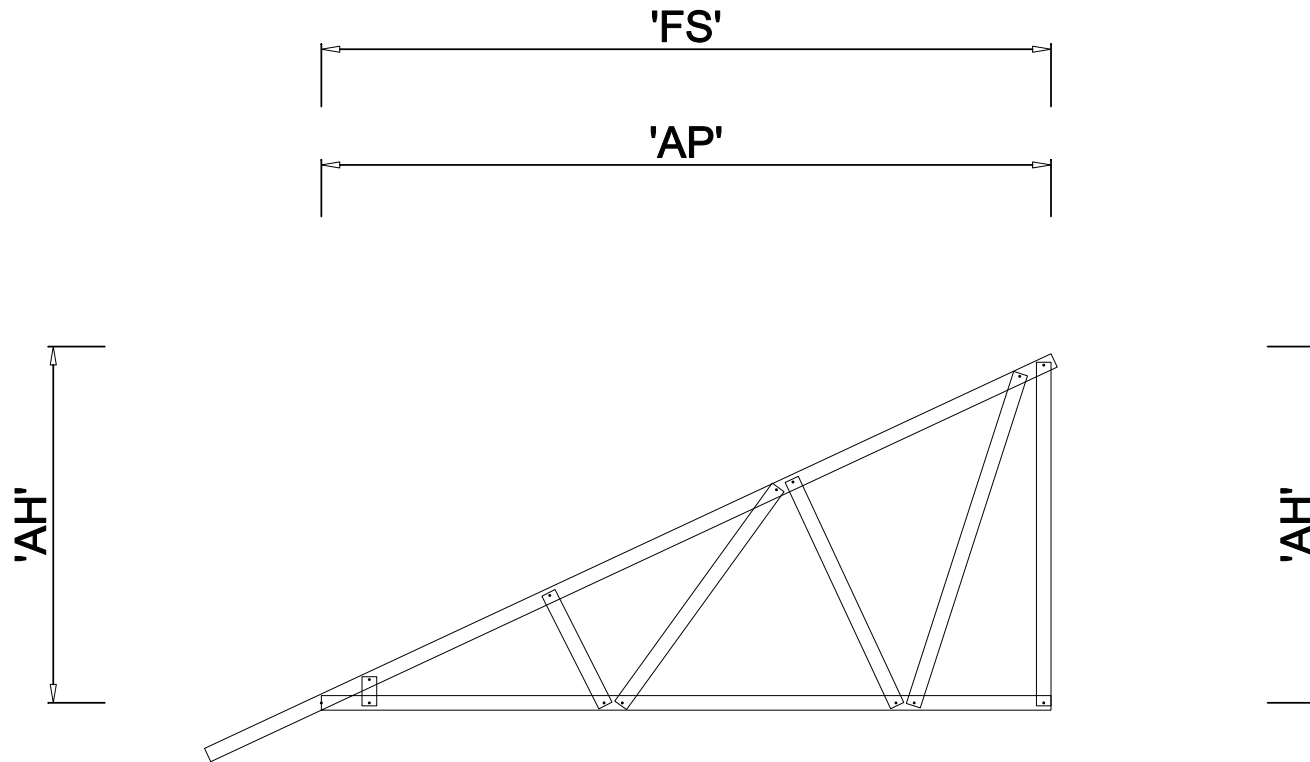
Mark As N3 Qty = 1
W30N-TILE-1000-25.000°
Analysis Status = Passed 59%
FS=7500 AP=3750 AH=1831



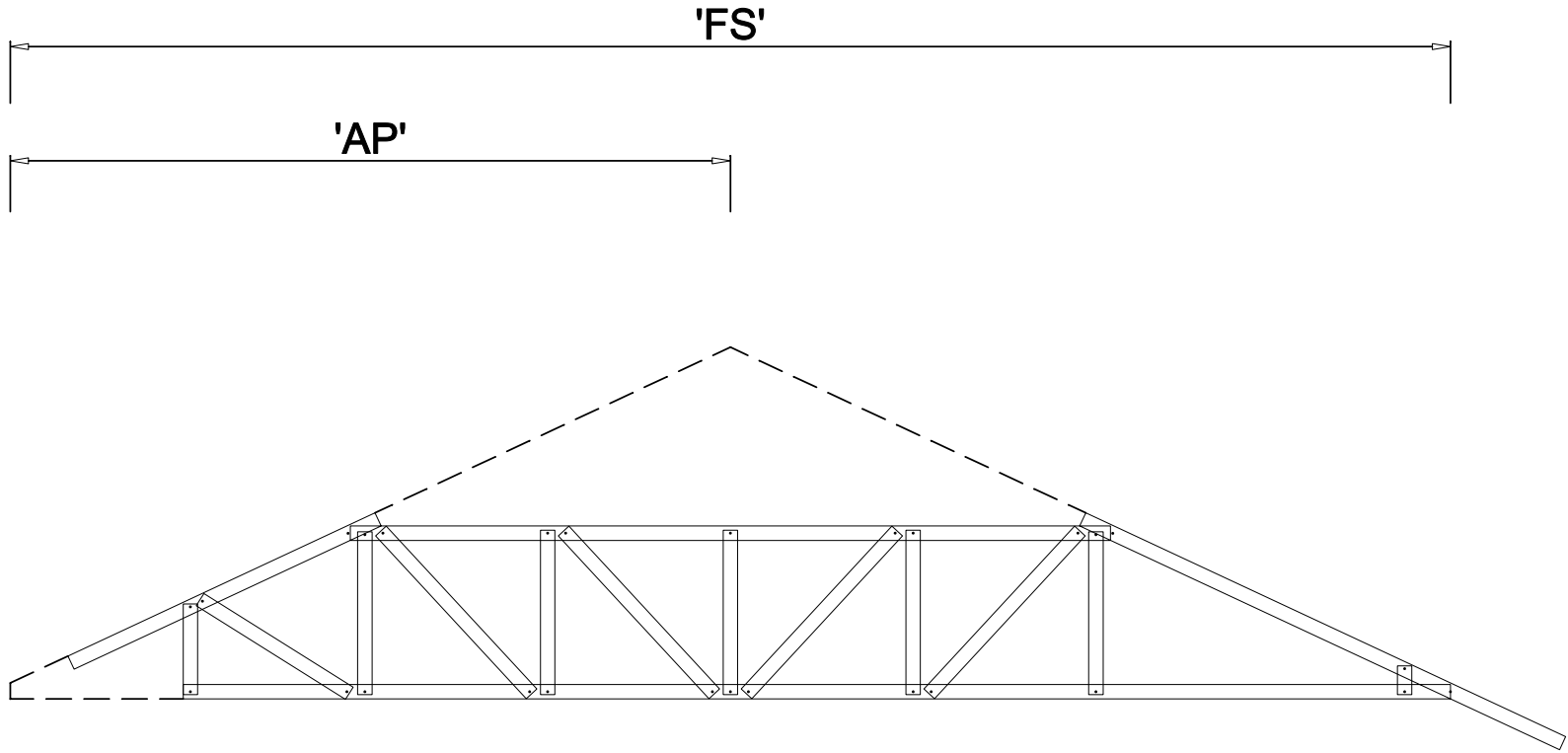
Mark As N3 Qty = 1
W30N-TILE-1000-25.000°
Analysis Status = Passed 59%
FS=3750 AP=3750 AH=1831



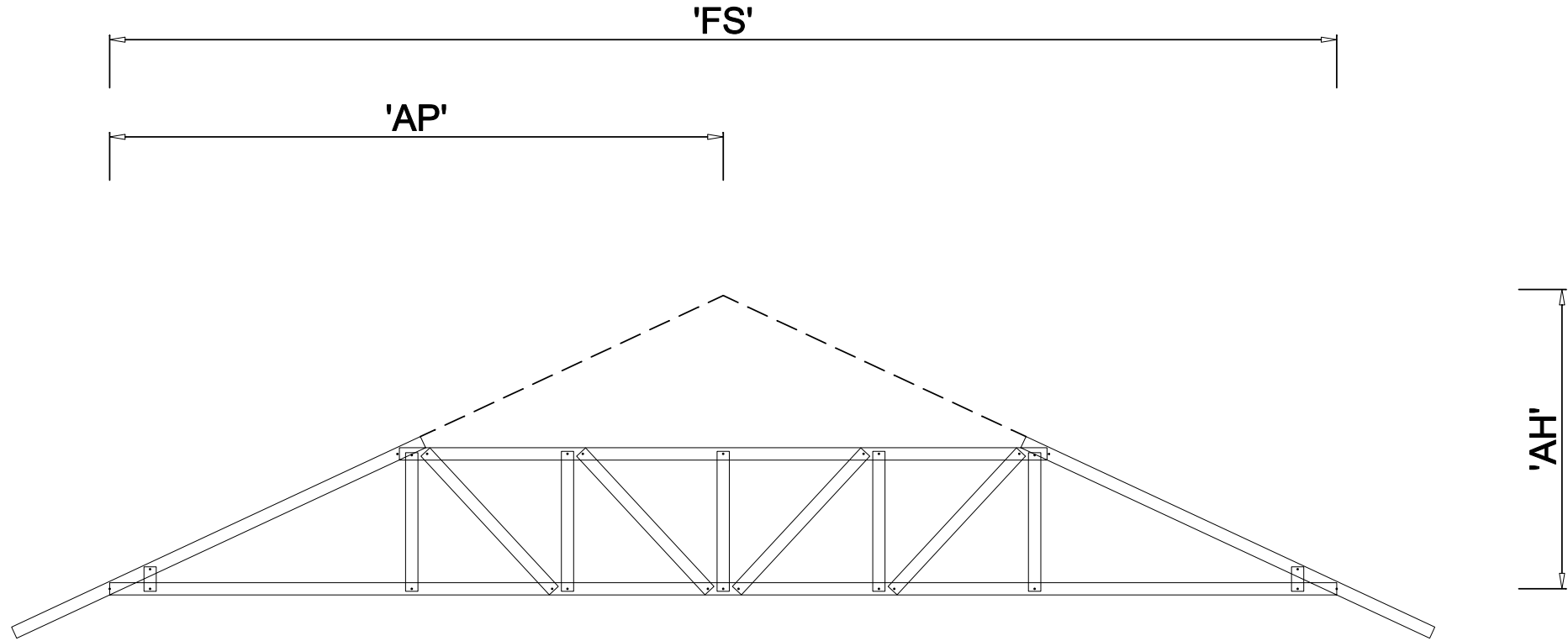
Mark As N3 Qty = 1
 W30N-TILE-1000-25.000°
 Analysis Status = Passed 59%
 FS=3750 AP=3750 AH=1831



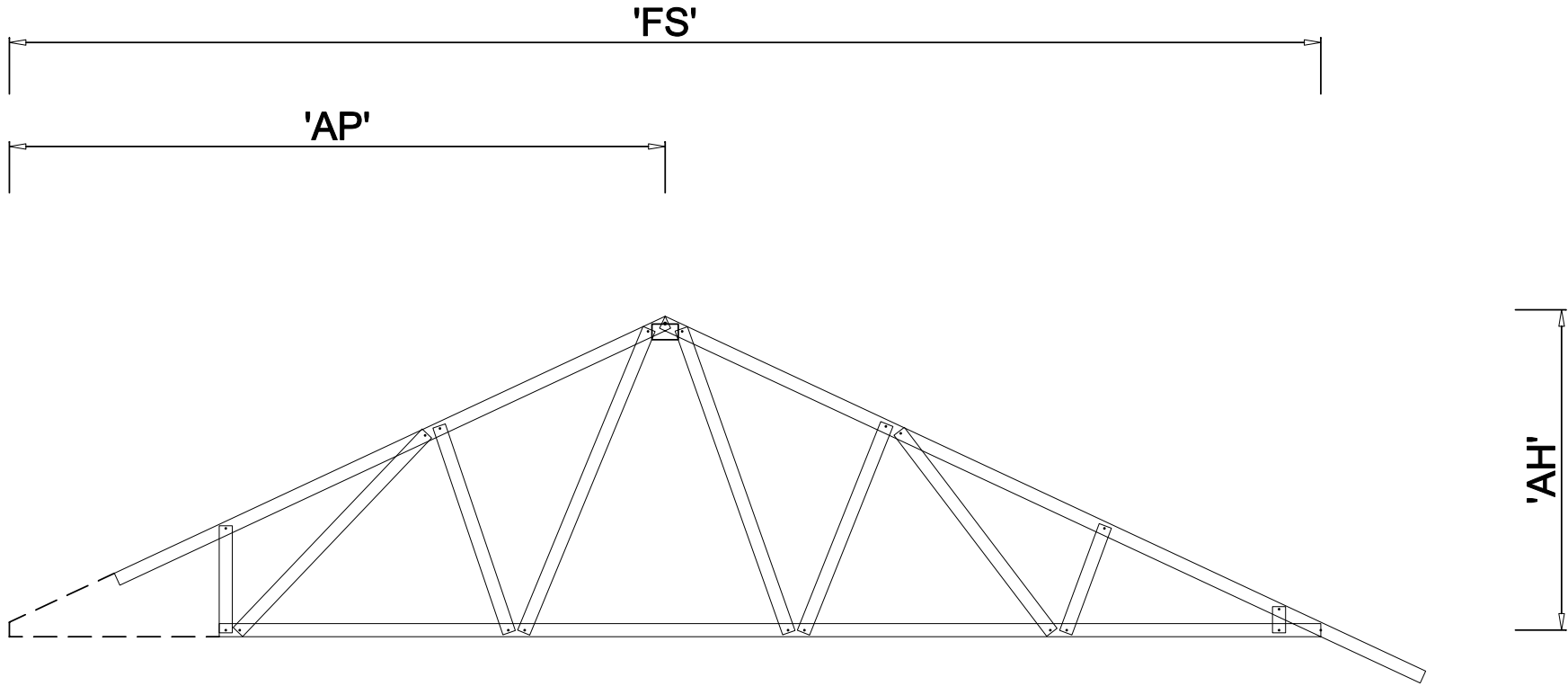
Mark As N3 Qty = 1
 W30N-TILE-1000-25.000°
 Analysis Status = Passed 59%
 FS=3750 AP=3750 AH=1831



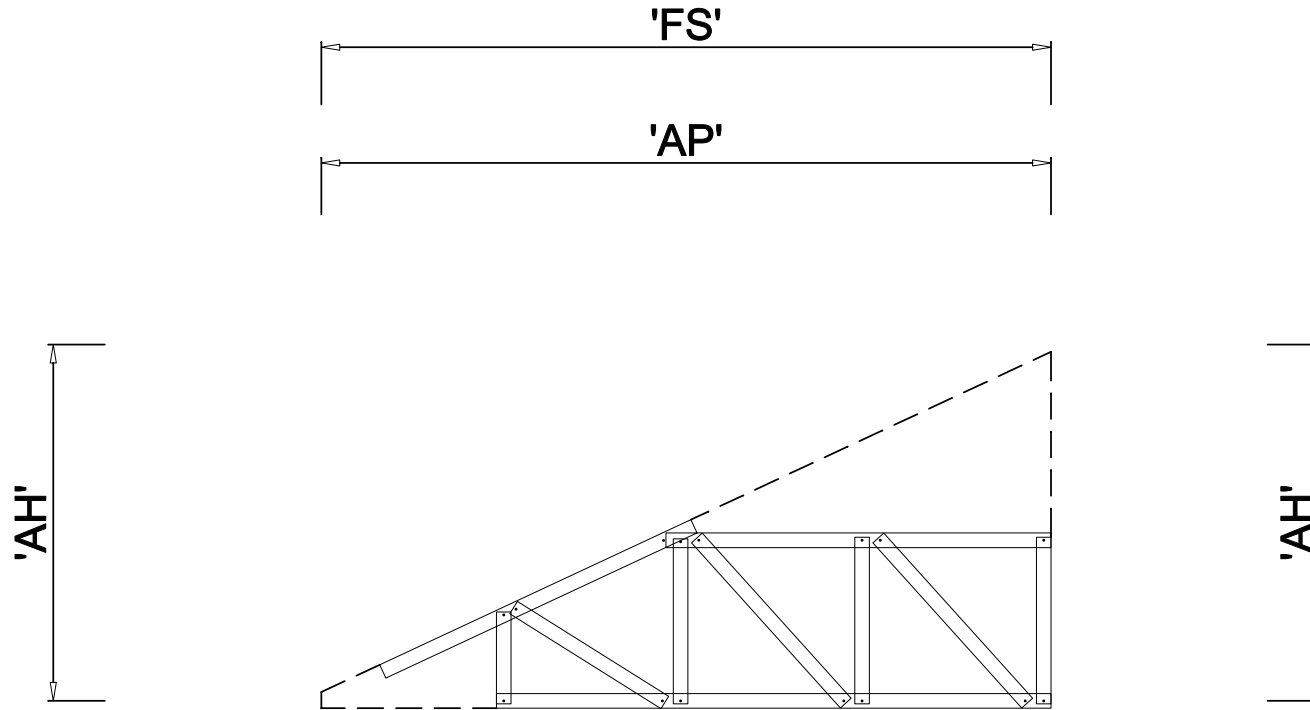
Mark As N3 Qty = 1
 W30N-TILE-1000-25.000°
 Analysis Status = Passed 59%
 FS=7500 AP=3750 AH=1831



Mark As N3 Qty = 1
W30N-TILE-1000-25.000°
Analysis Status = Passed 59%
FS=7500 AP=3750 AH=1831



Mark As N3 Qty = 1
 W30N-TILE-1000-25.000°
 Analysis Status = Passed 59%
 FS=7500 AP=3750 AH=1831



Mark As N3 Qty = 1
W30N-TILE-1000-25.000°
Analysis Status = Passed 59%
FS=3750 AP=3750 AH=1831